

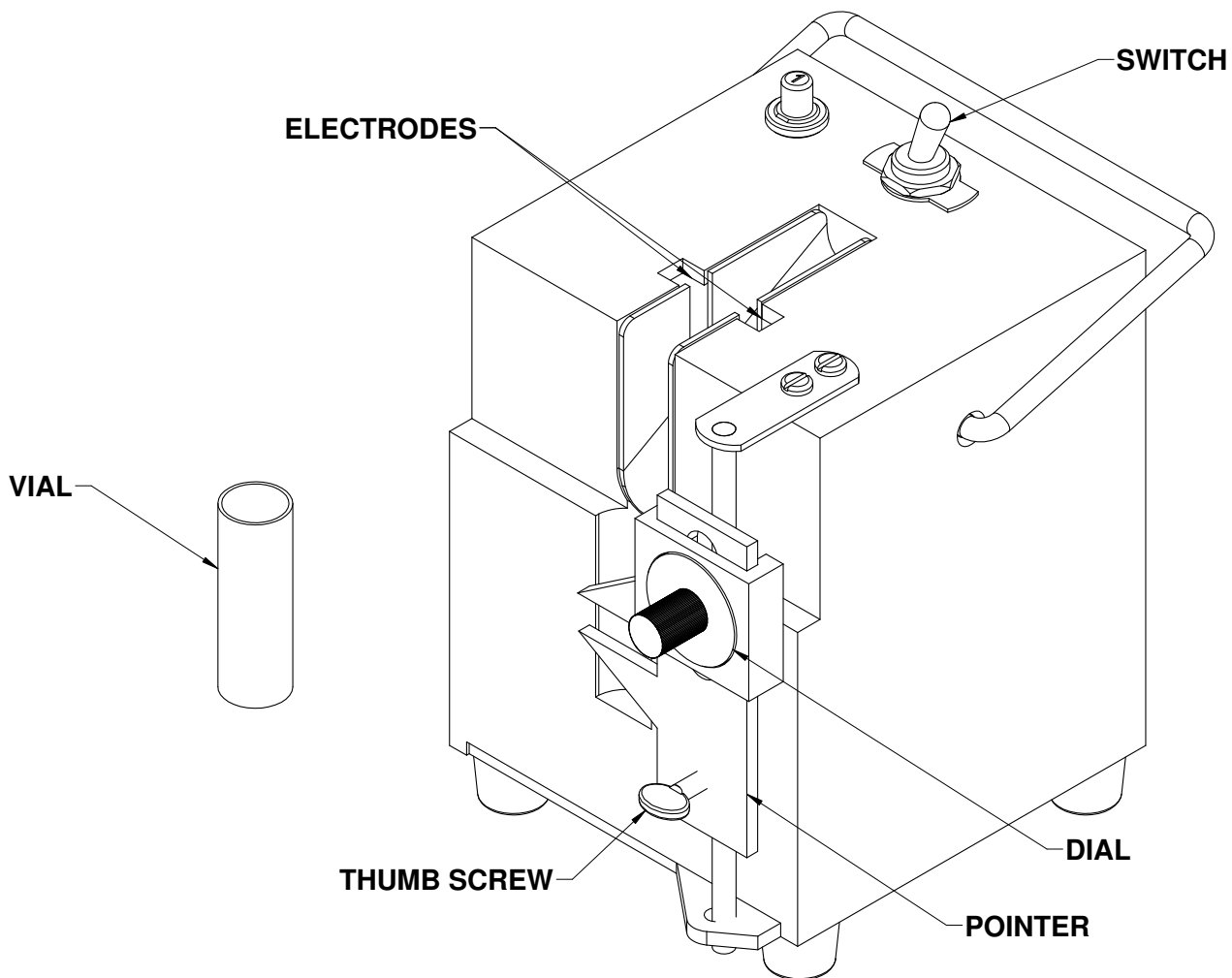


Persons under the age of 18 years are not permitted to operate or have accessibility to operate this equipment per U.S. Department of Labor Employment Standards Administration Fact Sheet No. ESA91-3.



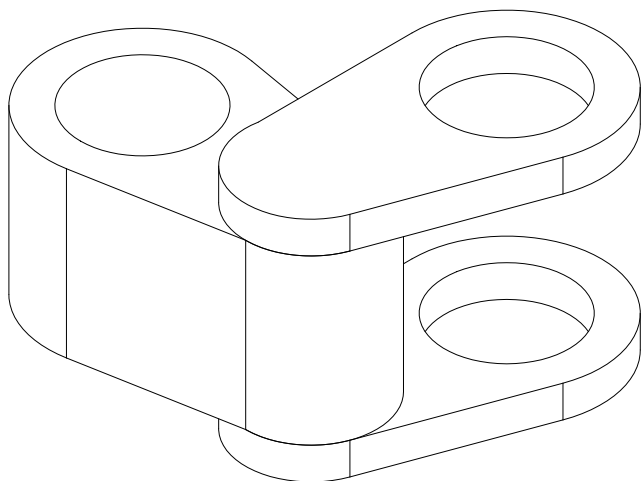
OVERALL VIEW OF FAT ANALYZER

FIGURE 1



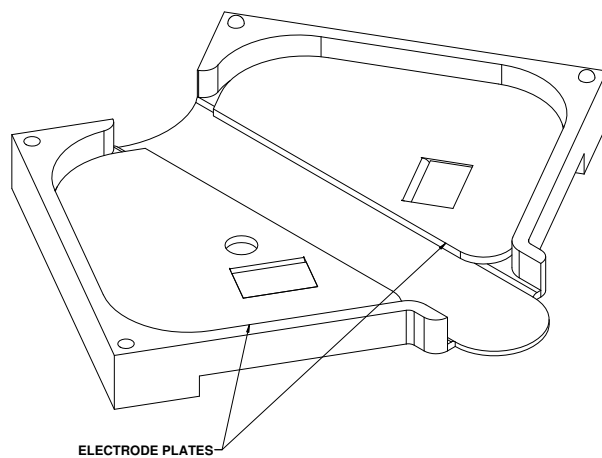
MEASURING DEVICE

FIGURE 2



ELECTRODE HOLDER ASSEMBLY

FIGURE 3



UNIVEX
FAT ANALYZER

FAT TEST PROCEDURE

1. Remove the two electrode plates from the electrode holder and scour both sides of the plates thoroughly using hot water and a commercial soap scouring pad. Wash the plastic electrode holder in hot soapy water to remove all fat residue.

NOTE: Failure to follow these instructions will cause residue build-up on the electrode plates, which will increase the time required for testing and can seriously impair the accuracy of the fat analyzer.

2. Fill the measuring device with hamburger taken from several areas of the meat to be tested. Using the thumb and forefinger press the sample into the cavity in the measuring device. Swing the top and bottom plates of the measure to the side leaving the sample in the middle portion of the measure.
3. Remove the sample from the measure and place it in the center of the electrodes in the electrode holder.
4. Close the electrode holder and place it in the slot in the fat analyzer.
5. Place a vial in the recess below the electrode holder and turn the switch on.
6. Turn the fat analyzer off when the fat no longer drips into the vial (approximately three minutes).
7. With your eyes at the same level as the pointer, move the lower pointer until it is even with the bottom of the fat layer in the vial and tighten the thumb screw.
8. With your eyes at the same level as the pointer, move the upper pointer by turning the dial until it is even with the top of the fat layer in the vial.
9. Read the fat level from the dial and record it.
10. For the best results, repeat the above steps two more times and take an average of the three readings.

Warranty

The Univex FA73 Fat Analyzer is warranted by Univex Corporation against any defects in materials or workmanship for a period of 90 days from the date of purchase by the end user. Please call the Univex Warranty Service Department at 800-258-6358 to report warranty claims before arranging for repair of the unit. The unit must be delivered to a Univex authorized service agent or to the Univex facility for warranty repairs. The end user is responsible for all shipping or travel charges arising from the repair or servicing of this unit under warranty. Univex will not cover overtime charges of any kind. Any service or repair must take place in the United States.

Damages incurred in transit or incurred because of installation error, accident, alteration or misuse are not covered. Transit damages should be reported to the carrier immediately.

Univex will not be liable for any consequential, compensatory incidental or special damages.

