

Project \_\_\_\_\_

Item Number \_\_\_\_\_

Quantity \_\_\_\_\_

8713S



## 8713S Gear Driven Premium Slicer

### Model:

➤ 8713S: 1/2hp Semi-Automatic Slicer



CERTIFIED BY NSF INTERNATIONAL TO MEET  
THE NSF/ANSI 2012 STANDARDS

\*NEW Low Friction Blade comes standard with slicer!

### Features:

- Medium to heavy duty, high volume slicer
- Maximum duty 8 hours a day
- Capable of slicing unlimited amounts of cheese
- Unique drip tray fence redirects liquids away from controls and operator towards distinctive concave base casting for easy cleaning
- Ergonomic comfort design operation
- Powerful 1/2 hp motor standard
- Adjustable slice thickness from 0 to 7/8"
- Easily removable sharpener for cleaning
- Quick and simple disassembly of carriage and feed grip for easy and thorough cleaning
- Sanitary polished and anodized aluminum construction
- Permanently mounted protective edge guard for operator safety
- Heavy duty 3-1/2 lb gravity fed grip
- 3 inch legs makes cleaning under the slicer simpler for the user

13" Precision slicing German hollow ground blade  
Unique smooth curve transitions to redirect liquids away from controls and operator  
Easily detachable carriage for easy cleaning

### Optional Accessories:

- Stainless steel blade
- Serrated steel blade
- Heavy duty clear plastic cover
- Stainless steel vegetable chute
- Security reinforced prison package

### Warranty:

- One year, on-site parts and labor

\*Univex Slicers are not intended for semi-frozen or frozen product **except for Model 8713M with frozen blade package.**

Premium Series Slicer

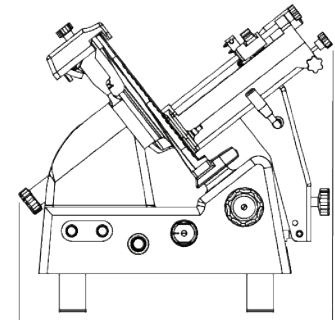
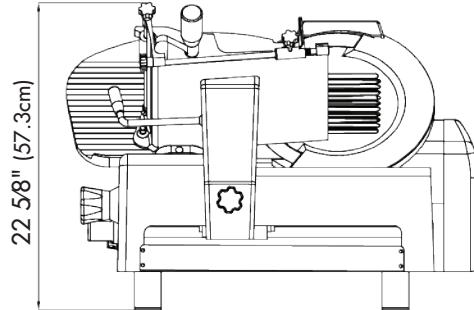
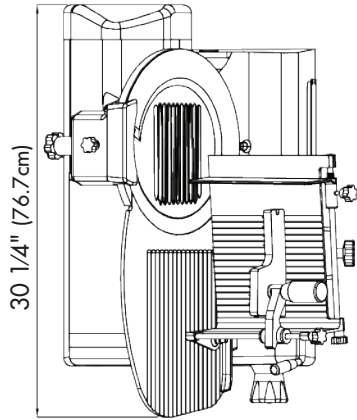
Univex Corporation



WE RAISE THE BAR. WE SET THE STANDARD.

# Premium Series Slicer

# 8713S



23" (58.3cm)

Controls: Manual slice thickness knob, push button on/off, attached blade sharpener smooth auto/manual control knob, adjustable carriage speed control

Drive Assembly: Gear driven

Blade diameter: 13" (33cm) razor sharp blade

Blade RPM: 300 RPM

Maximum slice thickness: .875" (2.2cm)

Maximum product size: Rectangular: 10" x 6.5" (25.4cm x 16.5cm)

Square: 6.5" x 6.5" (16.5cm x 16.5cm)

Round: 9" (22.9cm)

Construction: Anodized, cast aluminum body for durability and stunning looks

Nema #: 5-15-P

Electrical Information (60Hz)					
	Voltage	Phase	Amps	RPM	hp(kW)
Standard Voltage	115	1	5.4	1680	1/2 (.37)
Optional Voltage	208-240	1	2.7	1680	1/2 (.37)

Carriage Strokes	
	Strokes per minute
12" (30.5cm)	21 (minimum)
	47 (maximum)

Shipping Information		
Net Weight	Shipping Weight	Overall Shipping Dimensions
180lbs. (81.6Kg)	189lbs. (85.7Kg)	25" (63.5cm) H x 22" (55.9cm) W x 33" (83.8cm) D



Univex Corporation  
www.Univexcorp.com

3 Old Rockingham Rd  
Salem, NH 03079  
United States of America

TEL: (800)258-6358  
INTL TEL: (603)893-6191  
FAX: (800)356-5614  
INTL FAX: (603)893-1249