

Project \_\_\_\_\_

Item Number \_\_\_\_\_

Quantity \_\_\_\_\_

**BSBL**



**Models:**

- BSBL78
- BSBL105



**Features:**

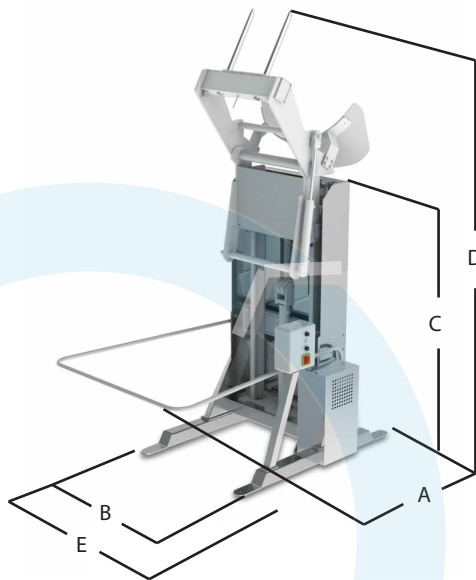
- Simple reliable service
- Easy controls, single button operation
- Built in safety guard
- Powerful single hydraulic piston provides the lifting power while two perfectly balances pistons provide the tipping motion

**Bowl Lifter**

**Motor:**

220V/60Hz/3ph

Model	A	B	C	D	E	Weight
BSBL 78	85.8" 2180mm	59" 1500mm	78" 2050mm	131.1" 3330mm	52.4" 1500mm	1,410lbs 640kg
BSBL 105	85.8" 2180mm	59" 1500mm	105" 2750mm	158.7" 4030mm	52.4" 1500mm	1,455lbs 660kg



**Note:** Please allow 6 inches beyond posted dimensions for complete clearance.

**Warranty:**

- One year, on-site parts and labor

**Univex Corporation**

**Warranty Details**

The BSBL units carry a one year, on-site parts and labor warranty against any flaws in materials and workmanship. This period begins on the date of the purchase and, provided the unit is used in accordance with our instructions, is in full effect for one year from that date. Any work performed under this warranty must be performed between the hours of 8am and 5pm Monday through Friday. Univex will not pay for overtime charges for work performed other than during normal business hours. Damage incurred in transit or from installation error, accident, alteration or misuse is not covered. Univex shall not be liable for any consequential compensatory, incidental, or special damages. Contact the Univex service department for any warranty claims.