

Project _____

Item Number _____

Quantity _____

Hand Mixer



Vortex Variable Speed Hand Mixer

Models: Vortex750

Features:

- Easy connect shaft coupling
- Prepares mixtures, soups and sauces
- Liquefies soups, purees fruits and vegetables directly in the cooking pot
- Lightweight and designed to reduce muscle strain and fatigue
- Highly effective cooling system
- Sturdy and light weight fiberglass ABS body
- Fixed and variable speed controls available
- Safety device preventing switching on by mistake
- Trigger switch for continuous blending
- IPX3 protection
- Cutlery steel knives
- Completely stainless steel shaft and bell

Optional Features:

- 18" shaft
- whisk
- whisk with metal gearing
- demountable and dishwashing safe whisk

Warranty:

- One year carry-in warranty

Cord Length: 9 Feet Long



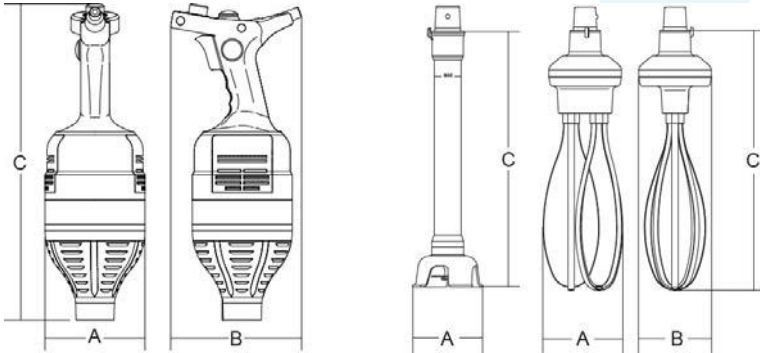
Univex Corporation



WE RAISE THE BAR. WE SET THE STANDARD.

Hand Mixer

VORTEX



Hand Mixer Dimensions:

Vortex750 Body:

- A 4.92"
- B 6.45"
- C 15.5"

Shafts:

- A 3.93"
- C 18.0"

Whisk:

- A 4.61"
- B 4.45"
- C 15.16"

Working Capacity:
up to 210 Qts

***Optional Whisk Attachment**



18" Shaft Shipping Box Dimensions:
23.23" x 9.06" x 5.91"

Whisk Shipping Box Dimensions:
20.47" x 8.27" x 9.84"

Electrical Information (60Hz)

NEMA #: 5-15-P

	Voltage Type	Voltage	Phase	hp(kW)	Watts	Hertz
Vortex750	Standard	120	1	.6	750	60

Shipping Information

Net Weight	Shipping Weight	Overall Dimensions	Freight Class
8.8 lbs (3.9 kg)	9.9 lbs (4.5 kg)	5.9" (15 cm) H x 13" (33 cm) W x 17.3" (44 cm) D	85



Univex Corporation
www.Univexcorp.com

3 Old Rockingham Rd
Salem, NH 03079
United States of America

TEL: 800.258.6358
INTL TEL: 603.893.6191
FAX: 800.356.5614
INTL FAX: 603.893.1249