

Project _____

Item Number _____

Quantity _____

MRD20



Manual Round Divider

Model:

➤ MRD20 5.3oz. to 19oz. (150g to 550g)

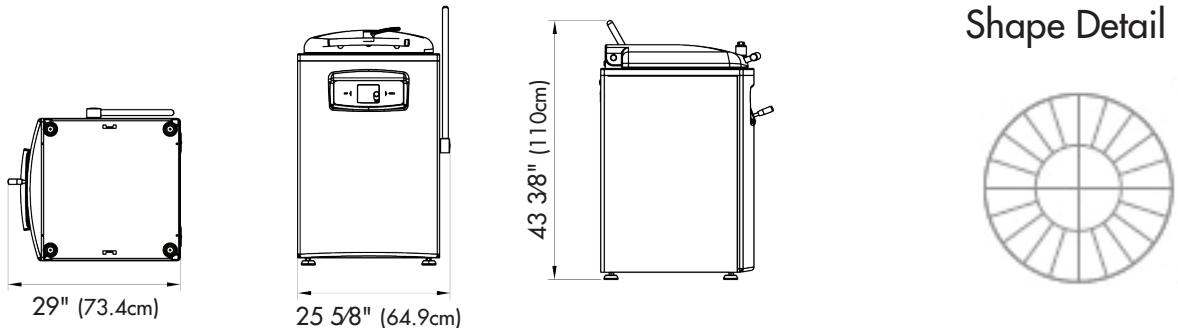
Features:

- Manually divides dough
- Produces 20 equal weighted pieces at once
- Can produce 1000 pieces an hour
- Industrial strength machine
- Simple controls

Production estimate is based off a 60 second start-to-finish process with prep time included



Round Divider



Univex Corporation

Warranty:

- One year, on-site parts and labor

Shipping Information

Net Weight	Shipping Weight	Overall Dimensions
385.8 lbs. (175Kg)	440.9 lbs. (200Kg)	57" (144.8cm) H x 29.5" (74.9cm) W x 29.5" (74.9cm) D