



WE RAISE THE BAR. WE SET THE STANDARD.

Project

Item Number

Quantity

1404 / 1405 / 1406



Patty Press Benchtop Burger Press

Models:

- **1404:** 4 INCH DIAMETER PATTY PRESS
- **1405:** 5 INCH DIAMETER PATTY PRESS
- **1406:** 6 INCH DIAMETER PATTY PRESS

Benchtop Burger Press

Features:

- Sturdy, easy to operate design quickly produces uniform hamburgers, crab cakes, fish cakes, or veggie burgers.
- Anodized aluminum and stainless steel finish.
- Single-lever manual operation takes only seconds.
- Integrated holder for paper dividers.



Univex Corporation

1404

- 4" diameter patty size
- Molds up to 5oz

1405

- 5" diameter patty size
- Molds up to 8oz

1406

- 6" diameter patty size
- Molds up to 16oz

Standard Accessories:

- 1000 paper dividers

Optional Accessories

- 1000556 wax paper dividers for 1404 patty press (box of 5000)
- 1000557 wax paper dividers for 1405 patty press (box of 5000)
- 1000601 wax paper dividers for 1406 patty press (box of 5000)

Warranty:

- 6 month, Return to factory (customer pays return shipping)



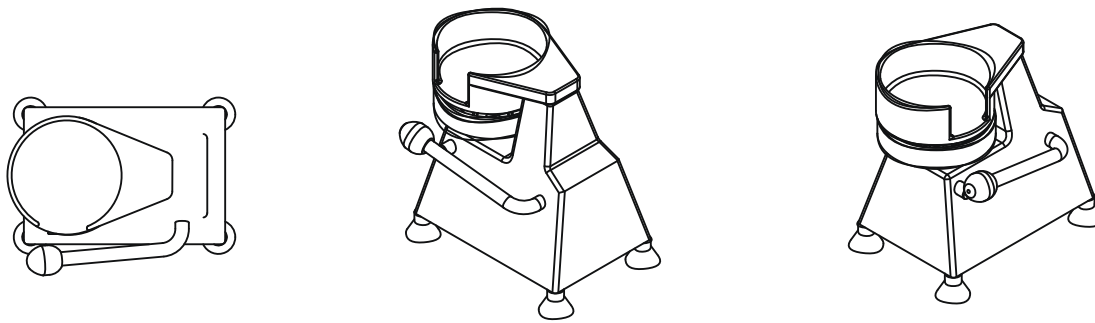
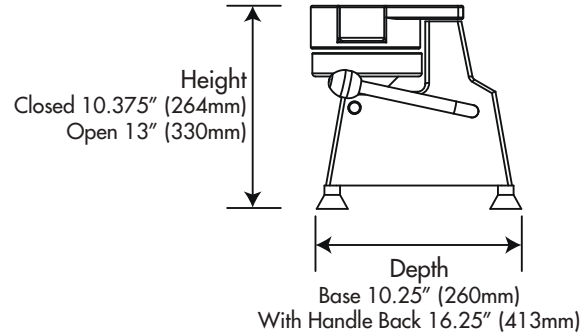
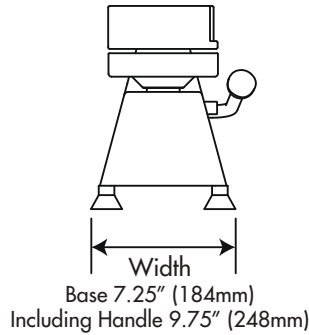
Univex Corporation
www.Univexcorp.com

3 Old Rockingham Rd
Salem, NH 03079
United States of America

TEL: 800.258.6358
INTL TEL: 603.893.6191
FAX: 800.356.5614
INTL FAX: 603.893.1249

Patty Press

1404 / 1405 / 1406



Easy Operation:

- 1: Push the handle (B) all the way back. Place a ball of meat or mix on the bottom plate.
- 2: Press the release button (A) to lower the plate into the forming dish. Pull the handle (B) forward and apply light pressure.
- 3: Return the handle (B) to the rear. The press plate rises automatically for easy removal of the patty.

Shipping Information			
Model	Net Weight	Shipping Weight	Overall Dimensions
1404	12lb (5.40kg)	15lb (6.8kg)	16" (406mm) H x 15" (381mm) W x 15" (381mm) D
1405	12lb (5.4kg)	15lb (6.8kg)	16" (406mm) H x 15" (381mm) W x 15" (381mm) D
1406	13lb (6.0kg)	16lb (7.3kg)	16" (406mm) H x 15" (381mm) W x 15" (381mm) D