

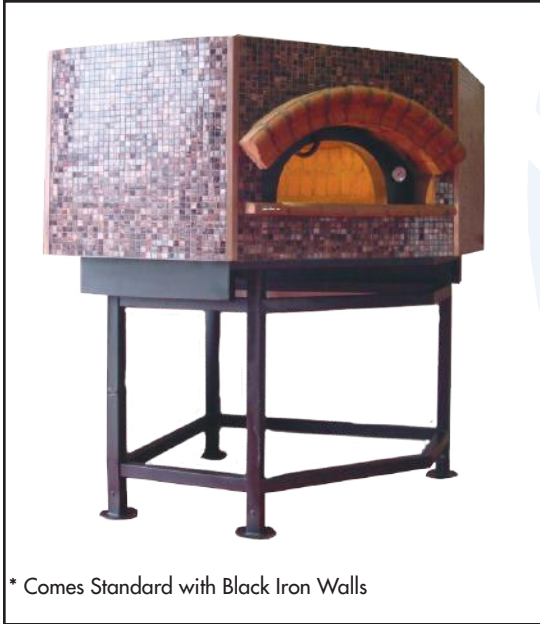


Project \_\_\_\_\_

Item Number \_\_\_\_\_

Quantity \_\_\_\_\_

Pentagonal Oven



\* Comes Standard with Black Iron Walls

## Stone Hearth Pizza Dome Oven

### Models:

- DOME39P: Pentagonal pizza oven
- DOME47P: Pentagonal pizza oven
- DOME51P: Pentagonal pizza oven
- DOME55P: Pentagonal pizza oven
- DOME59P: Pentagonal pizza oven

Pizza Oven

### Features:

- Handmade firebrick pizza oven
- Static cooking floor
- Pentagonal internal cooking chamber
- Insulated and ready to be connected to smoke stack
- Very well insulated, outside is cool to touch at highest temperature

### Standard Accessories:

- Iron stand
- Thermometer
- Iron door
- Stack exhaust internal diameter 7 7/8" (20cm)

### Optional Accessories:

- Black or customizable exterior
  - Red brick
  - Yellow brick
  - 10 x 10 tiles
  - Marble
  - Metal leaves
  - Mosaic
  - Stone

### Burner Specifications:

- 3/8" (.95 cm) NPT gas connection
- Natural Gas or Propane
- Natural Gas- 4.0" WC
- Propane- 10.0" WC

Venting: Depends on local state code. Recommend a dedicated natural draft flue. If exhaust fan is required by code, it needs to be no more than 200-300 CFM.

### Warranty:

- One year, on-site parts and labor



Univex Corporation



**Univex Corporation**  
www.Univexcorp.com

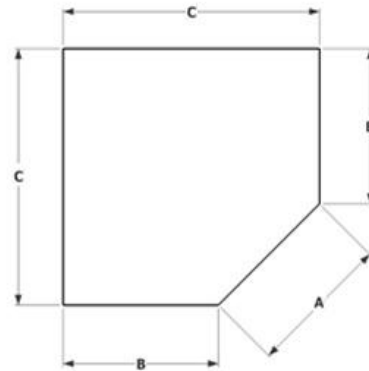
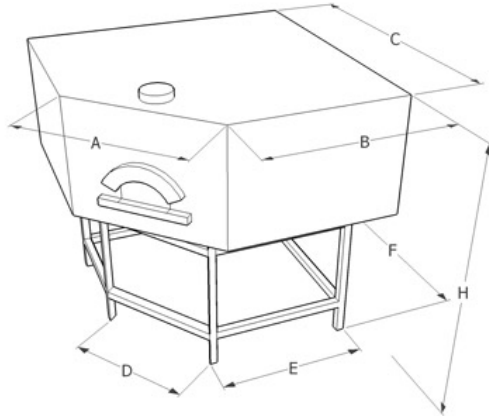
3 Old Rockingham Rd  
Salem, NH 03079  
United States of America

TEL: (800)258-6358  
INTL TEL: (603)893-6191  
FAX: (800)356-5614  
INTL FAX: (603)893-1249



# Stone Hearth Pizza Dome Oven

**Gas**



	DOME39P	DOME47P	DOME51P	DOME55P	DOME59P
A	37.4" (95cm)	38.9" (99cm)	38.9" (99cm)	41.7" (106cm)	41.7" (106cm)
B	32.6" (83cm)	39.3" (100cm)	43.3" (110cm)	45.3" (115cm)	49.2" (125cm)
C	59" (150cm)	66.9" (170cm)	70.8" (180cm)	74.8" (190cm)	78.7" (200cm)
D	29.9" (76cm)	35.4" (90cm)	37.4" (95cm)	38.9" (99cm)	38.9" (99cm)
E	27.9" (71cm)	35.4" (90cm)	38.5" (98cm)	39.8" (101cm)	41.7" (106cm)
F	47.6" (121cm)	59" (150cm)	61.4" (156cm)	69.3" (176cm)	70.9" (180cm)
H	72.8" (185cm)	72.8" (185cm)	72.8" (185cm)	72.8" (185cm)	72.8" (185cm)

Vent Pipe: 7.87"(200mm)

### Oven Weight

DOME39P	2645.5lbs. (1200Kg)
DOME47P	4850.2lbs. (2200Kg)
DOME51P	5180.9lbs. (2350Kg)
DOME55P	5511.6lbs. (2500Kg)
DOME59P	5952.5lbs. (2700Kg)

### Number of Pizzas

Model	12" Pizzas
DOME39P	5
DOME47P	7
DOME51P	9
DOME55P	11
DOME59P	13

BTU: DOME39P, DOME47P, DOME51P - 92500 BTU  
DOME55P, DOME59P - 97500 BTU

### Electrical Information (60Hz)

	Voltage	Phase	Amps
Standard Voltage	115	1	16

Minimum clearance away from combustibles from all sides: 6" (15.2cm)

Minimum clearance away from combustibles from top: 16" (40.6cm)

Please note that standard dry-wall or sheet rock is considered a combustible

Built on a non combustible floor with at least 32" (81.3cm) surrounding the oven and at least 40" (101.6cm) in front of the oven

Minimum clearance under oven: 31 inches<sup>2</sup> (200cm<sup>2</sup>)

Leave enough clearance for someone to service the oven



**Univex Corporation**  
[www.Univexcorp.com](http://www.Univexcorp.com)

3 Old Rockingham Rd  
Salem, NH 03079  
United States of America

TEL: (800)258-6358  
INTL TEL: (603)893-6191  
FAX: (800)356-5614  
INTL FAX: (603)893-1249