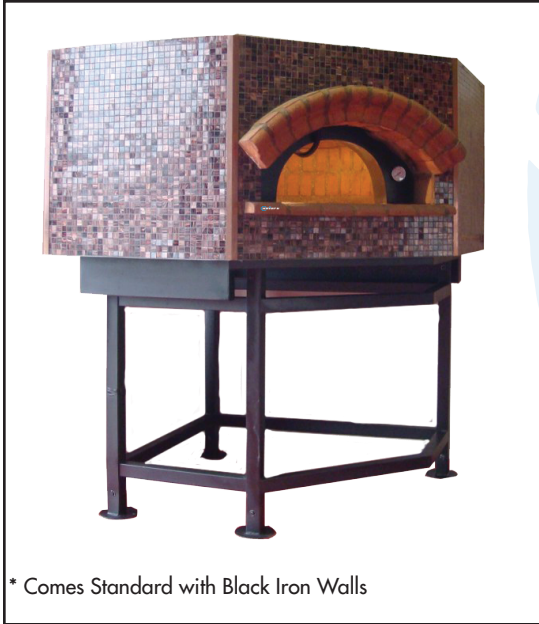


Project	Item Number	Quantity
_____	_____	_____

Pentagonal Oven



* Comes Standard with Black Iron Walls

Stone Hearth Pizza Dome Oven

Models:

- DOME39P: Pentagonal pizza oven
- DOME47P: Pentagonal pizza oven
- DOME51P: Pentagonal pizza oven
- DOME55P: Pentagonal pizza oven
- DOME59P: Pentagonal pizza oven

Pizza Oven

Features:

- Handmade firebrick pizza oven
- Static cooking floor
- Pentagonal internal cooking chamber
- Insulated and ready to be connected to smoke stack
- Very well insulated, outside is cool to touch at highest temperature

Standard Accessories:

- Iron stand
- Thermometer
- Iron door
- Stack exhaust internal diameter 7 7/8" (20cm)

Optional Accessories:

- Black or customizable exterior
 - Red brick
 - Yellow brick
 - 10 x 10 tiles
 - Marble
 - Metal leaves
 - Mosaic
 - Stone

Burner Specifications:

- 3/4" (1.9cm) NPT gas connection
- Natural Gas or Propane
- Natural Gas- 4.0" (10.2cm) WC
- Propane- 10.0" (25.4cm) WC

Venting: Depends on local state code. Recommend a dedicated natural draft flue. If exhaust fan is required by code, it needs to be no more than 200-300 CFM.

Warranty:

- One year, on-site parts and labor

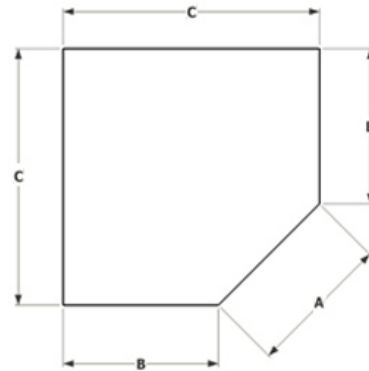
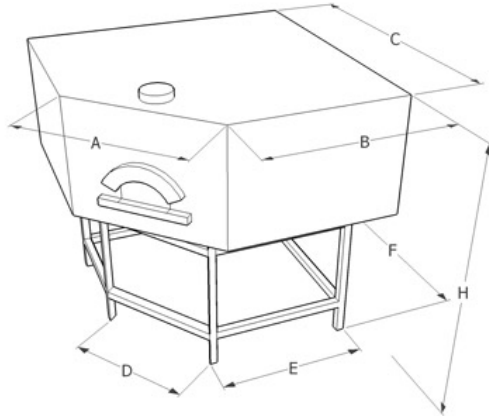


Univex Corporation



Stone Hearth Pizza Dome Oven

Gas



	DOME39P	DOME47P	DOME51P	DOME55P	DOME59P
A	37.4" (95cm)	38.9" (99cm)	38.9" (99cm)	41.7" (106cm)	41.7" (106cm)
B	32.6" (83cm)	39.3" (100cm)	43.3" (110cm)	45.3" (115cm)	49.2" (125cm)
C	59" (150cm)	66.9" (170cm)	70.8" (180cm)	74.8" (190cm)	78.7" (200cm)
D	29.9" (76cm)	35.4" (90cm)	37.4" (95cm)	38.9" (99cm)	38.9" (99cm)
E	27.9" (71cm)	35.4" (90cm)	38.5" (98cm)	39.8" (101cm)	41.7" (106cm)
F	47.6" (121cm)	59" (150cm)	61.4" (156cm)	69.3" (176cm)	70.9" (180cm)
H	72.8" (185cm)	72.8" (185cm)	72.8" (185cm)	72.8" (185cm)	72.8" (185cm)

Vent Pipe: 7.87"(200mm)

Oven Weight	
DOME39P	2645.5lbs. (1200Kg)
DOME47P	4850.2lbs. (2200Kg)
DOME51P	5180.9lbs. (2350Kg)
DOME55P	5511.6lbs. (2500Kg)
DOME59P	5952.5lbs. (2700Kg)

Number of Pizzas	
Model	12" Pizzas
DOME39P	5
DOME47P	7
DOME51P	9
DOME55P	11
DOME59P	13

BTU: DOME39P, DOME47P, DOME51P - 92500 BTU
DOME55P, DOME59P - 97500 BTU

Minimum clearance away from combustibles from all sides: 6" (15.2cm)

Minimum clearance away from combustibles from top: 16" (40.6cm)

Please note that standard dry-wall or sheet rock is considered a combustible

Built on a non combustible floor with at least 32" (81.3cm) surrounding the oven and at least 40" (101.6cm) in front of the oven

Minimum clearance under oven: 31 inches² (200cm²)

Leave enough clearance for someone to service the oven



Univex Corporation
www.Univexcorp.com

3 Old Rockingham Rd
Salem, NH 03079
United States of America

TEL: (800)258-6358
INTL TEL: (603)893-6191
FAX: (800)356-5614
INTL FAX: (603)893-1249