



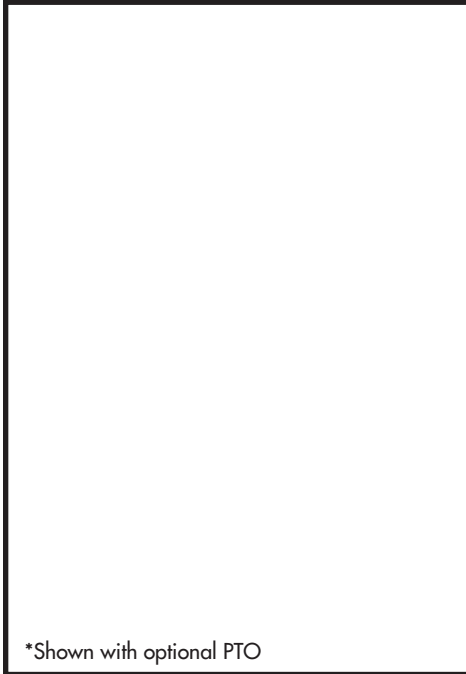
WE RAISE THE BAR. WE SET THE STANDARD.

Project \_\_\_\_\_

Item Number \_\_\_\_\_

Quantity \_\_\_\_\_

SRM60+ Mixer



\*Shown with optional PTO

## 60 Quart (qt.) Floor Model Mixer MADE IN THE USA

### Model:

➤ SRM60+: 60 qt. FLOOR MODEL MIXER



Floor Model Mixer

### Features:

- 3 hp capacitor start motor
- Variable Speed Drive: 4 fixed speeds or any speed in-between
- Change speeds without having to stop the mixer
- Two-piece, stainless steel, dishwasher safe safety guard
- Heavy-duty stainless steel bowl
- #12 Power Take Off (PTO) hub
- Interlock switches protect operator from injury if safety guard is open or bowl is lowered
- Hardened alloy gears in transmission
- Low voltage protection prevents accidental start up after power failure
- Durable NSF approved hybrid epoxy/polyester powder coat finish

### Standard Accessories:

- 15 minute timer
- Wire whip
- Dough hook
- Batter beater
- 60 qt. stainless steel bowl
- Ingredient chute
- Bowl scraper
- Power bowl lift

### Optional Accessories:

- Splash ring
- Cover
- Bowl truck
- Sweet dough beater
- 60 qt. pastry knife
- Four wing beater
- Heavy duty SS wire whip

### Optional Attachments:

- VS9 vegetable slicer with adjustable knife
- VS9H vegetable shredder with plate holder and 3/16" plate (additional plate size variations, grater plates, and julienne plate available)
- ALMFC12 meat and food grinder

### Warranty:

- Two year, on-site parts and labor

Univex Corporation



Univex Corporation  
www.Univexcorp.com

3 Old Rockingham Rd  
Salem, NH 03079  
United States of America

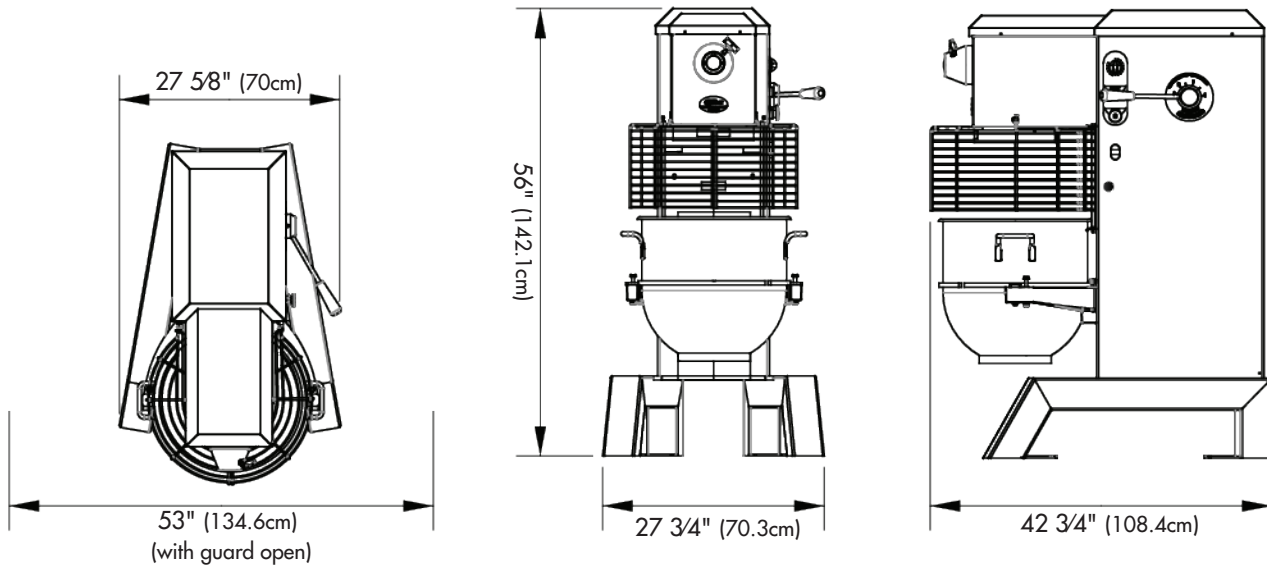
TEL: (800)258-6358  
INTL TEL: (603)893-6191  
FAX: (800)356-5614  
INTL FAX: (603)893-1249



WE RAISE THE BAR. WE SET THE STANDARD.

# 60 Quart Floor Model Mixer

## SRM60+



\*Shown with optional PTO

### Shipping Information

Net Weight	Shipping Weight	Overall Dimensions	Cubic Measure
750 lbs. (340.2Kg)	875 lbs. (396.9Kg)	66" (167.6cm) H x 41" (104.1cm) W x 51" (129.5cm) D	79.9ft. <sup>3</sup> (2.26M <sup>3</sup> )

\*The weight and dimensions of the pallet are included in the weight and dimensions above.

NEMA #: 6-15-P

Electrical Information (60Hz)			
Attached 6 foot cord	Voltage	Phase	Amps
Standard Voltage	208-240	1	16.0-16.8
Optional Voltage	208-240	3	8.0-8.5
	400	3	4.0

Mixer Speeds				
Speed	1	2	3	4
Beater Shaft (RPM)	119	166	275	498
PTO (RPM)	93	132	114	390

Bowl Capacity: 64 qts. (60.5 liters)

Motor: 3 hp capacitor start

Controls: Momentary contact stop & start buttons and contactor

Bowl Lift: Ergonomic hand operated crank, self locking in top and bottom position

Lubrication: Oil bath

Transmission: Featuring hardened alloy gearing and torque sensing variable speed pulleys

Power Take Off (PTO): #12 Hub



Univex Corporation  
www.Univexcorp.com

3 Old Rockingham Rd  
Salem, NH 03079  
United States of America

TEL: (800)258-6358  
INTL TEL: (603)893-6191  
FAX: (800)356-5614  
INTL FAX: (603)893-1249