

Project _____

Item Number _____

Quantity _____

UFP13



Food Processor

Model:

➤ UFP13

Available Disks



Food Processor

Features:

- Versatile vegetable prep machine that efficiently prepares all types of fresh vegetables, fruits and more
- Heavy duty ventilated motor for continuous operation
- The compact design makes the machine easy to install inside every kitchen
- Feeding system makes it easy to process soft products like mozzarella cheese
- Motor stops when the lever is lifted and the machine does not start if the cover is not in place
- Capable of preparing 290-485 lbs.

Optional Accessories:

- A number of cutting plates are available for every purpose including:
 - Dicing (Requires Slicing Plate)
 - Grater and shredder
 - Slicing
 - Julienne
- Storage basket and tubs
- Plate holder

Univex Corporation

Warranty:

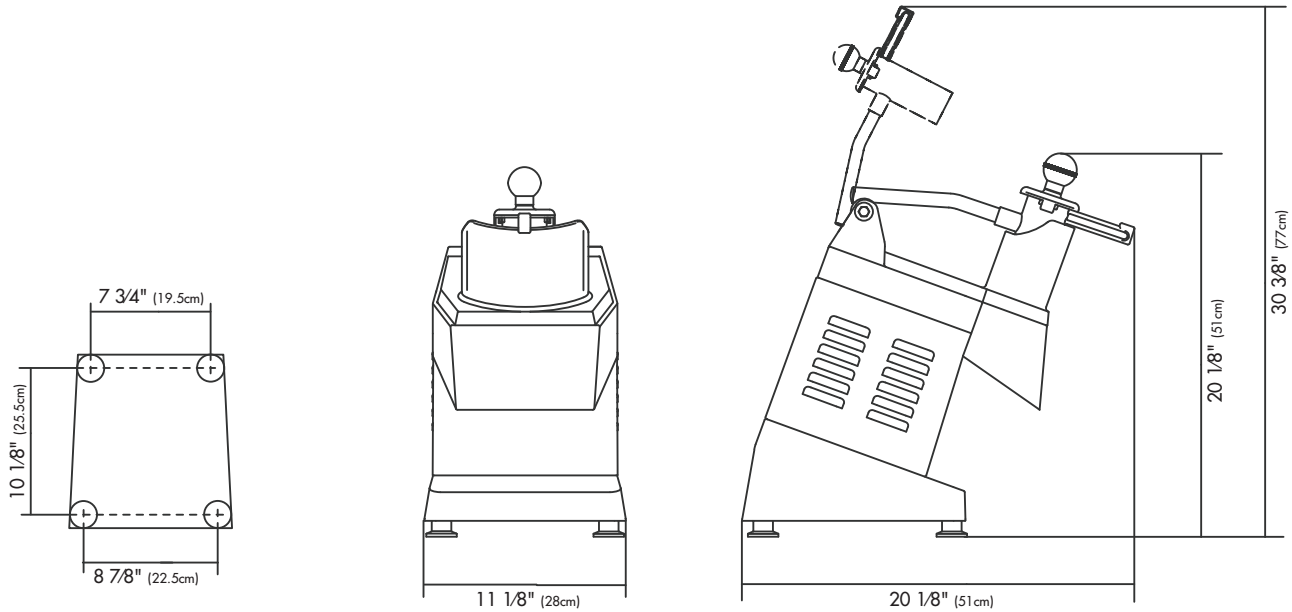
- One year, on-site parts and labor



WE RAISE THE BAR. WE SET THE STANDARD.

Food Processor

UFP13



Structure: Aluminum alloy and stainless steel construction

Control: Handle works as on-off switch

Motor: Ventilated for continuous operation

NEMA #: 5-15-P

Electrical Information (60Hz)				
	Voltage	Phase	hp(kW)	Amps
Standard Voltage	115	1	.7	4.29

Shipping Information		
Net Weight	Shipping Weight	Overall Dimensions
53.5 lbs. (24.3Kg)	57 lbs. (25.9Kg)	19.7" (50cm) H x 13.8" (35cm) W x 28.3" (72cm) D



Univex Corporation
www.Univexcorp.com

3 Old Rockingham Rd
Salem, NH 03079
United States of America

TEL: (800)258-6358
INTL TEL: (603)893-6191
FAX: (800)356-5614
INTL FAX: (603)893-1249